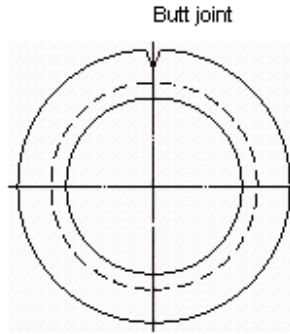
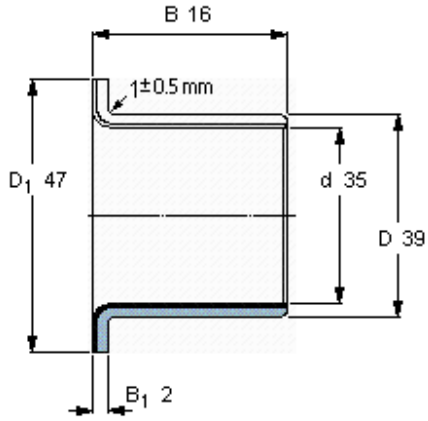


Composite dry sliding bushings, Composite dry sliding flanged bushings

Principal dimensions					Basic load ratings				Mass	Designation
d	D	D1	B	B1	radial dynamic C	static C0	axial dynamic Ca	static C0		
mm					kN				kg	-
35	39	47	16	2	35,5	110	33,5	104	0,043	PCMF 353916 E



Specific load factor
Material constant

K 80
K_M 480